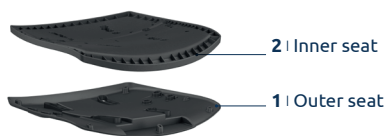
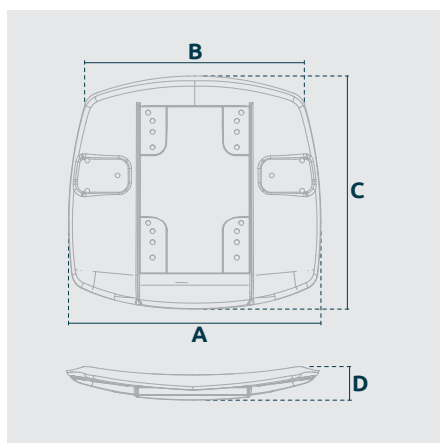




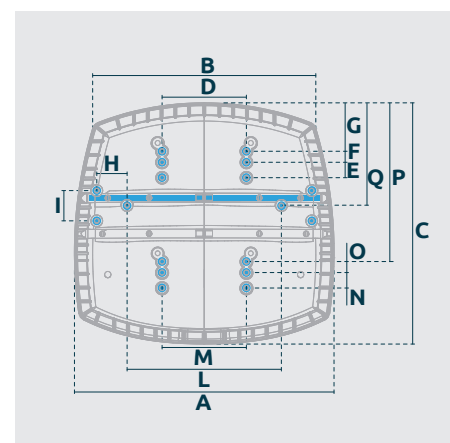
ANDY



1 | Outer seat | ANDY



2 | Inner seat | ANDY



1 | Outer seat | SE20 OUTER SEAT MOD. ANDY BLACK

| Code | A | B | C | D |
|------------|-----|-----|-----|----|
| 117031602N | 460 | 423 | 400 | 45 |

2 | Inner seat | SI11 INNER SEAT MOD. ANDY WITH 18 T-NUTS

| Code | A | B | C | D | E | F | G | H | I | L | M | N | O | P | Q |
|------------|-----|-----|-----|-----|----|----|----|----|----|-----|-----|----|----|-----|-----|
| 217029300N | 470 | 405 | 438 | 153 | 20 | 28 | 88 | 55 | 55 | 280 | 153 | 28 | 20 | 288 | 186 |